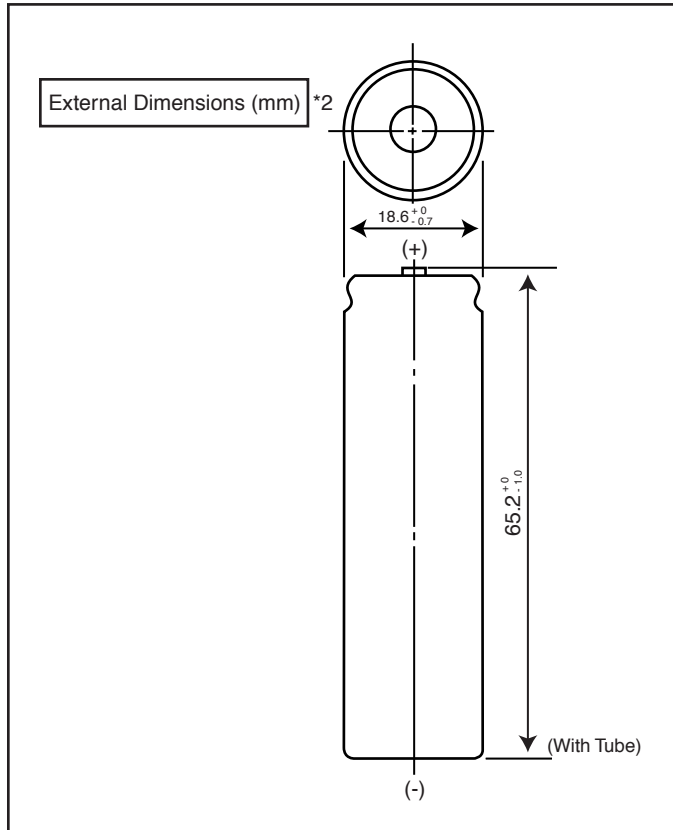


**CGR18650CG: Cylindrical Model**



To ensure safety, the referenced Li-ion cell is not sold as a bare cell. Li-ion cells must be integrated with the appropriate safety circuitry via an authorized Panasonic Li-ion pack assembler.

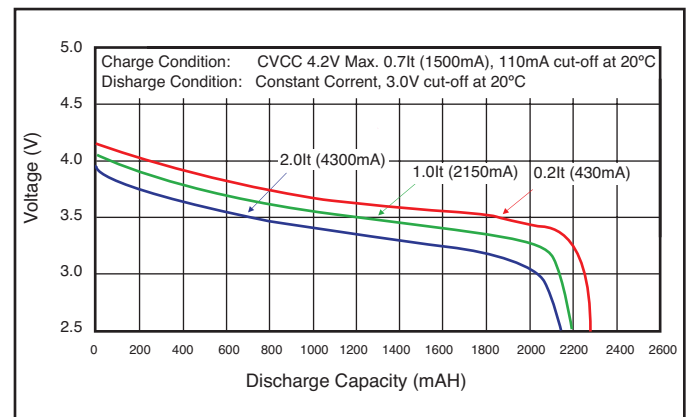
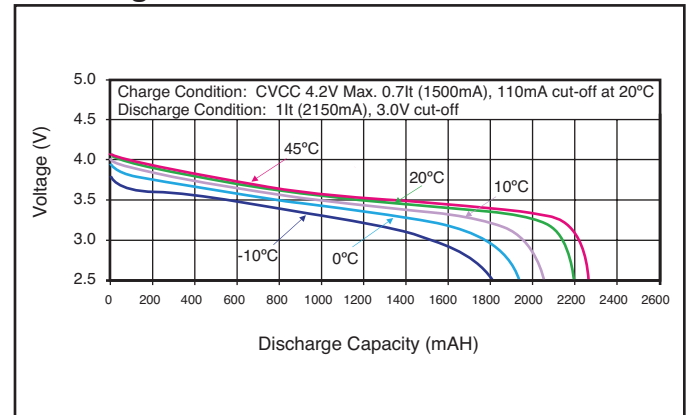
**Specifications**

<b>Nominal Voltage</b>		3.6 V
<b>Standard Capacity*1</b>		2250mAh
<b>Dimensions*2</b>	<b>Diameter</b>	18.6 + 0/-0.7mm
	<b>Height</b>	65.2 + 0/-1.0mm
	<b>Weight</b>	Approx. 45g

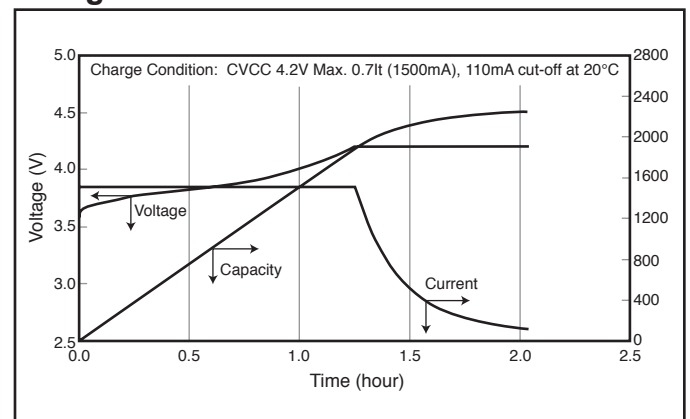
\*1 After a fresh battery has been charged at constant voltage/constant current (4.2 V, 1500mA (max), 2 hours, 20°C), the average of the capacity (ending voltage of 3 V at 20°C) that is discharged at a standard current (430mA).

\*2 Dimensions of a fresh battery

**Discharge Characteristics**



**Charge Characteristics**



**Cycle Life Characteristics**

